

PRODUCT
CATALOGUE **2024**



C.P. Bath Fittings

PASSION FOR
GOOD LIVING





C.P. Bath Fittings

INDEX

JUPITER	1-2
SATURN	3-4
VENUS	5-6
MERCURY	7-8
PLUTO	9-10



C.P. Bath Fittings

CHROME FINISH



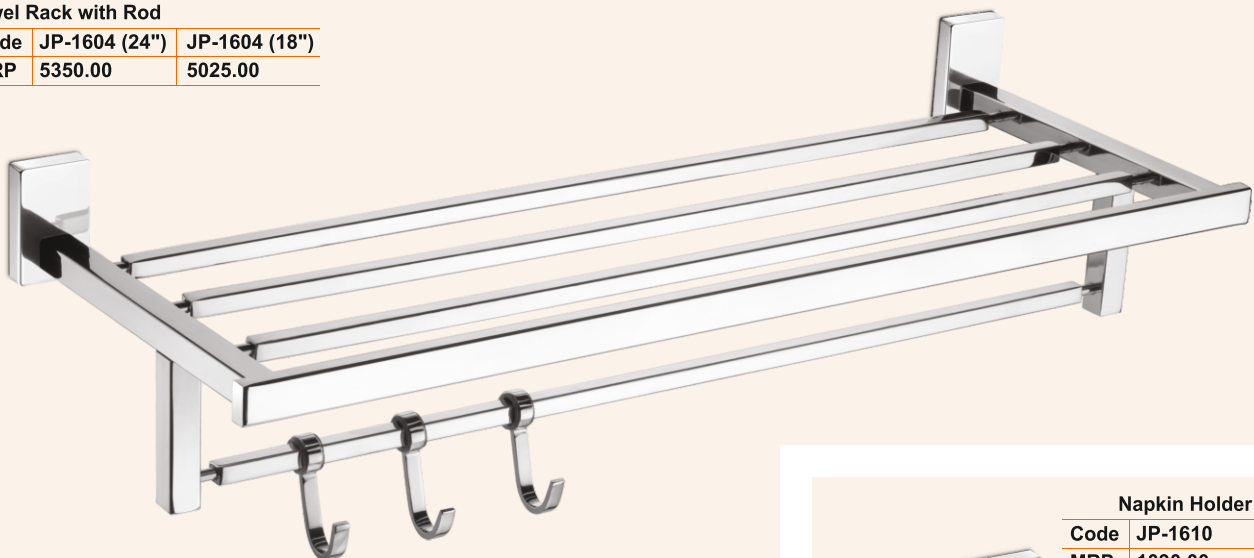
BRASS +
AISI 304 STAINLESS STEEL

JUPITER

Perfection cannot be improved upon, this spectacularly smart design was born to prove you wrong.

Towel Rack with Rod

Code	JP-1604 (24")	JP-1604 (18")
MRP	5350.00	5025.00



Napkin Holder

Code	JP-1610
MRP	1090.00



5 Pcs. Set

Code	JP-1601
MRP	6115

- Towel Rod
- Soap Dish
- Toothbrush Tumbler
- Napkin Holder
- Robe Hook

Soap Dish (Glass)

Code	JP-1680G
MRP	1250.00





C.P. Bath Fittings

Robe Hook

Code	JP-1611
MRP	720.00



Soap Dish (SS)

Code	JP-1601
MRP	1200



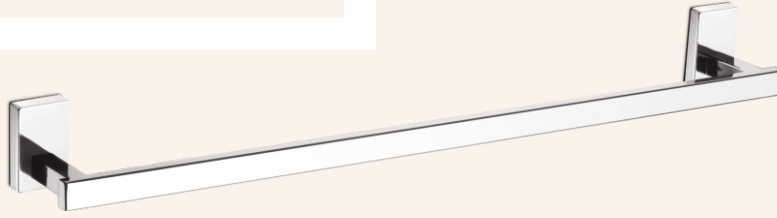
Liquid Soap Dispenser (Glass)

Code	JP-1613G
MRP	1860.00



Towel Rod

Code	JP-1606 (24")	JP-1607 (18")
MRP	1860.00	1750.00



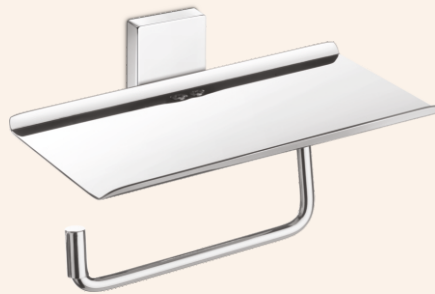
Toothbrush Tumbler (Glass)

Code	JP-1609G
MRP	1200.00



Paper Holder with Mobile Stand

Code	JP-1614
MRP	1925.00



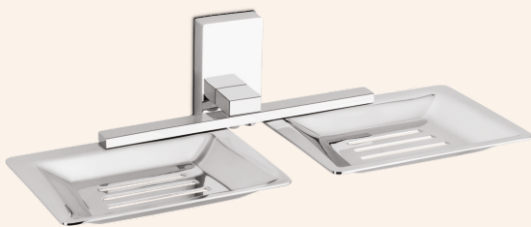
Toothbrush Tumbler (SS)

Code	JP-1609
MRP	1380.00



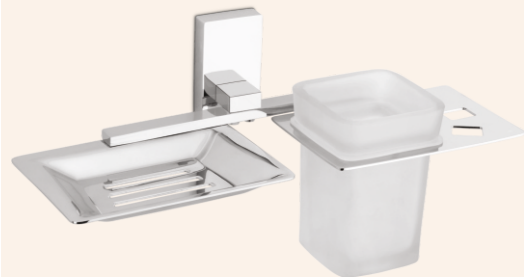
Double Soap Dish (SS)

Code	JP-1615S
MRP	1795.00



Soap Dish & Toothbrush Tumbler (SS)

Code	JP-1617S
MRP	1970.00



CHROME FINISH



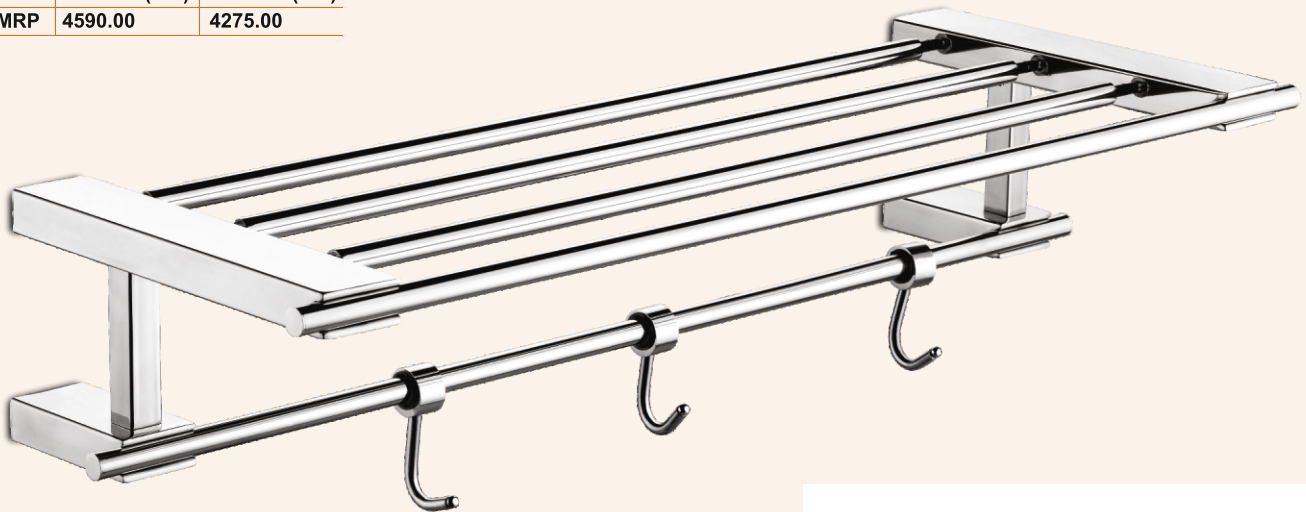
AISI 304
STAINLESS STEEL

SATURN

Legal in appearance and robust in its capacity this is a style that is born out of continuous design innovation.

Towel Rack with Rod

Code	ST-1004 (24")	ST-1005 (18")
MRP	4590.00	4275.00



5 Pcs. Set

Code	ST-1001
MRP	5680.00

Towel Rod - Soap Dish
Toothbrush Tumbler
Napkin Holder - Robe Hook

Soap Dish (SS)

Code	ST-1008
MRP	1090.00

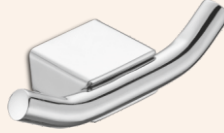




C.P. Bath Fittings

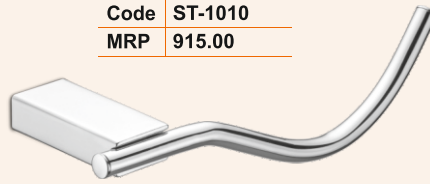
Robe Hook

Code	ST-1011
MRP	460.00



Napkin Holder

Code	ST-1010
MRP	915.00



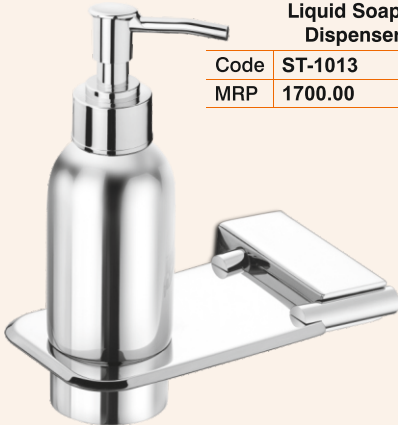
Toothbrush Tumbler (SS)

Code	ST-1009
MRP	1460.00



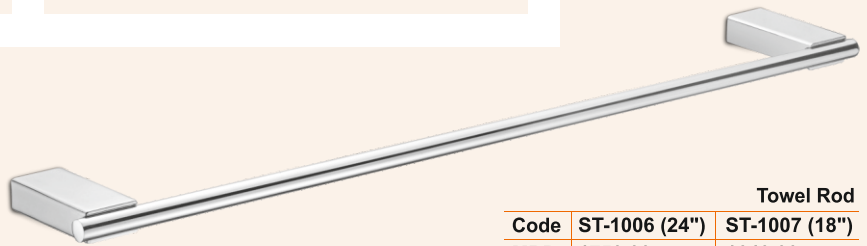
Liquid Soap Dispenser

Code	ST-1013
MRP	1700.00



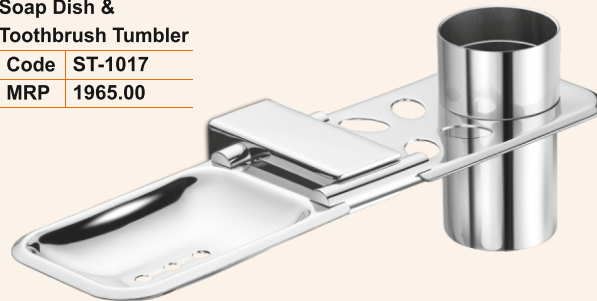
Towel Rod

Code	ST-1006 (24")	ST-1007 (18")
MRP	1750.00	1640.00



Soap Dish & Toothbrush Tumbler

Code	ST-1017
MRP	1965.00



Double Soap Dish

Code	ST-1015
MRP	1530.00



Paper Holder

Code	ST-1014
MRP	1665.00



GLOSSY FINISH



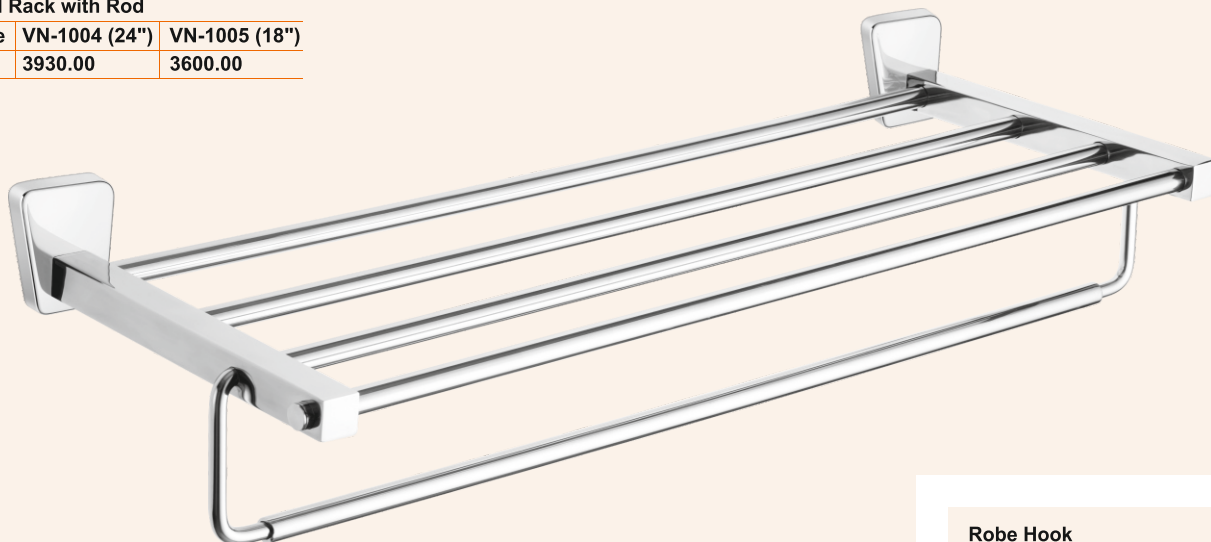
AISI 304 STAINLESS STEEL

VENUS

Climax cannot be improved upon, this spectacularly smart design was born to prove you wrong.

Towel Rack with Rod

Code	VN-1004 (24")	VN-1005 (18")
MRP	3930.00	3600.00



Robe Hook

Code	VN-1911
MRP	500.00



5 Pcs. Set

Code	VN-1901
MRP	4810.00

Towel Rod
Soap Dish
Toothbrush Tumbler
Napkin Holder
Robe Hook

Soap Dish (Glass)

Code	VN-1908
MRP	740.00



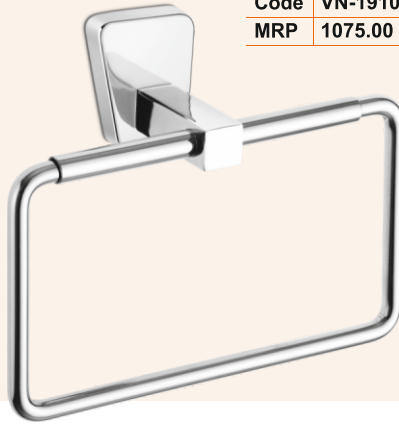


C.P. Bath Fittings

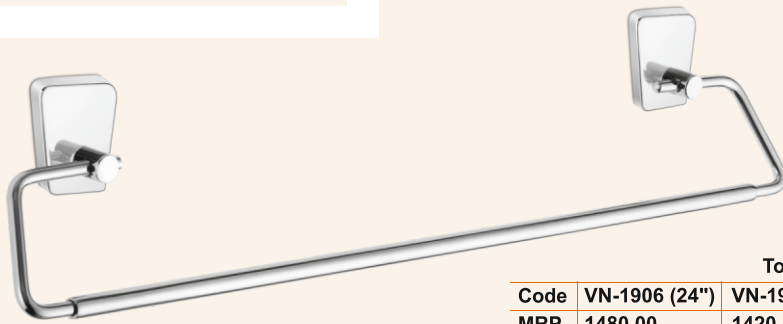
Toothbrush Tumbler
Code VN-1909
MRP 980.00



Napkin Holder
Code VN-1910
MRP 1075.00



Liquid Soap Dispenser
Code VN-1913
MRP 1160.00



Towel Rod
Code VN-1906 (24") VN-1906 (18")
MRP 1480.00 1420.00

Soap Dish & Toothbrush Tumbler (SS)
Code VN-1917
MRP 1720.00



Double Soap Dish (SS)
Code VN-1915
MRP 1460.00



Paper Holder
Code VN-1914
MRP 1220.00



Toothbrush Tumbler & Liquid Soap Dispenser
Code VN-1918
MRP 1960.00



Double Soap Dish & Toothbrush Tumbler
Code VN-1919
MRP 2185.00



GLOSSY FINISH



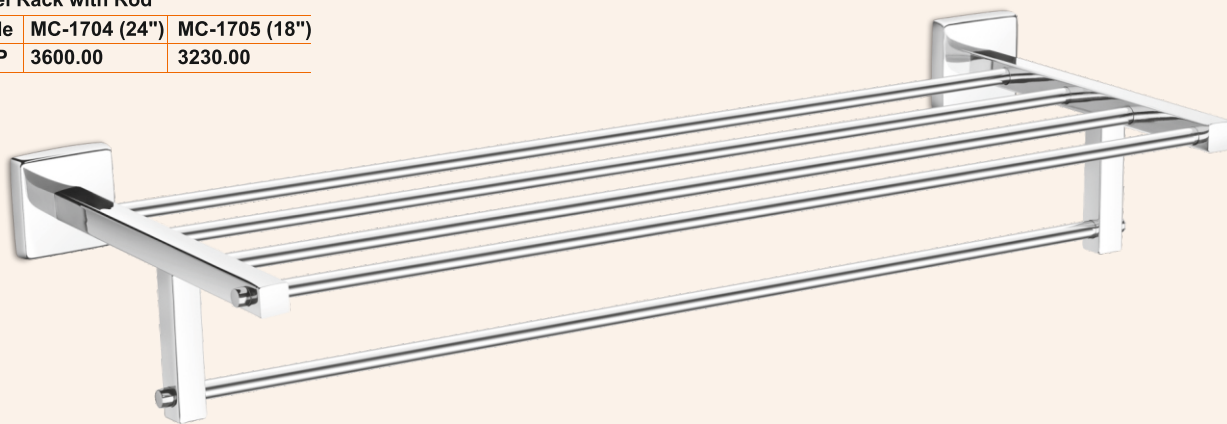
AISI 304
STAINLESS STEEL

MERCURY

hey, turn a mundane day into a story of magic realism with this metaphor of style exclusively made for you.

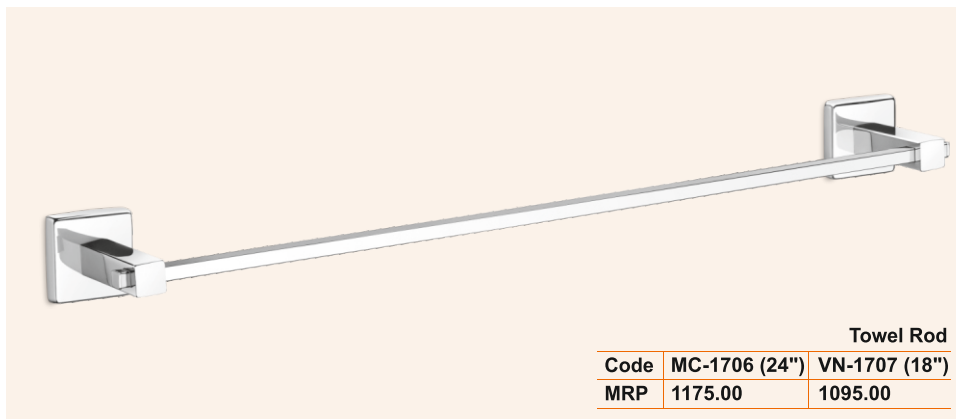
Towel Rack with Rod

Code	MC-1704 (24")	MC-1705 (18")
MRP	3600.00	3230.00



Robe Hook

Code	MC-1711
MRP	435.00



	Towel Rod	
Code	MC-1706 (24")	VN-1707 (18")
MRP	1175.00	1095.00



C.P. Bath Fittings

Soap Dish (SS)

Code	MC-1708
MRP	565.00



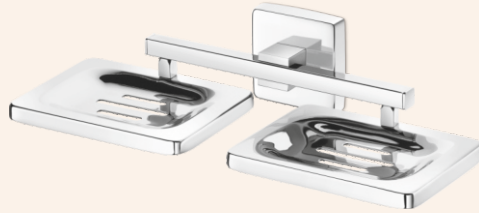
Toothbrush Tumbler (SS)

Code	MC-1709S
MRP	770.00



Double Soap Dish (SS)

Code	MC-1715S
MRP	1270.00



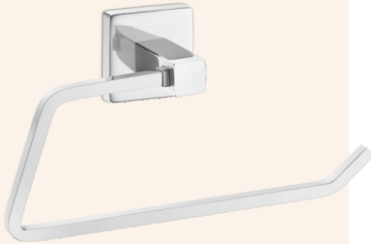
Soap Dish & Toothbrush Tumbler (SS)

Code	MC-1717S
MRP	1460.00



Napkin Holder

Code	MC-1710
MRP	805.00



Soap Dish (PTMT)

Code	MC-1708
MRP	390.00



Double Soap Dish (PTMT)

Code	MC-1715
MRP	740.00



Toothbrush Tumbler (PTMT)

Code	MC-1709
MRP	480.00



Paper Holder

Code	MC-1714
MRP	1220.00



Soap Dish & Toothbrush Tumbler (PTMT)

Soap Dish & Toothbrush Tumbler (PTMT)

Code	MC-1717
MRP	785.00



Liquid Soap Dispenser (PTMT)

Code	MC-1713
MRP	965.00



Toothbrush Tumbler & Liquid Soap Dispenser (PTMT)

Code	MC-1718
MRP	1352.00



GLOSSY FINISH



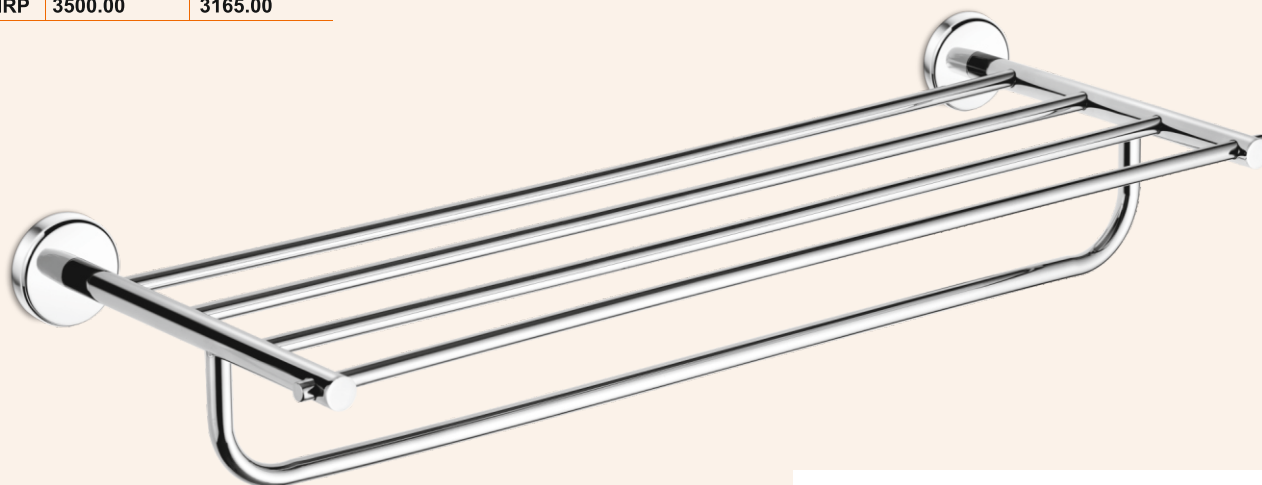
AISI 304
STAINLESS STEEL

PLUTO

majestic in appearance and robust in its capacity this is a style that is born out of continuous design innovation.

Towel Rack with Rod

Code	PL-1804 (24")	PL-1805 (18")
MRP	3500.00	3165.00



5 Pcs. Set

Code	PL-1801
MRP	3820.00

Towel Rod - Soap Dish
Toothbrush Tumbler
Napkin Holder - Robe Hook

Soap Dish

Code	PL-1808
MRP	655.00





C.P. Bath Fittings

Toothbrush Tumbler

Code	PL-1809
MRP	915.00



Napkin Holder

Code	PL-1810
MRP	805.00



Robe Hook

Code	PL-1811
MRP	350.00



Liquid Soap Dispenser

Code	PL-1813G
MRP	870.00



Towel Rod

Code	PL-1706 (24")	PL-1706 (18")
MRP	1075.00	980.00



Soap Dish & Toothbrush Tumbler

Code	PL-1810
MRP	1445.00



Paper Holder

Code	PL-1814
MRP	1220.00



Double Soap Dish

Code	PL-1815
MRP	1175.00





C.P. Bath Fittings



A L F A V A L V E S

J A L A N D H A R

Visit us at: www.echobathfittings.com